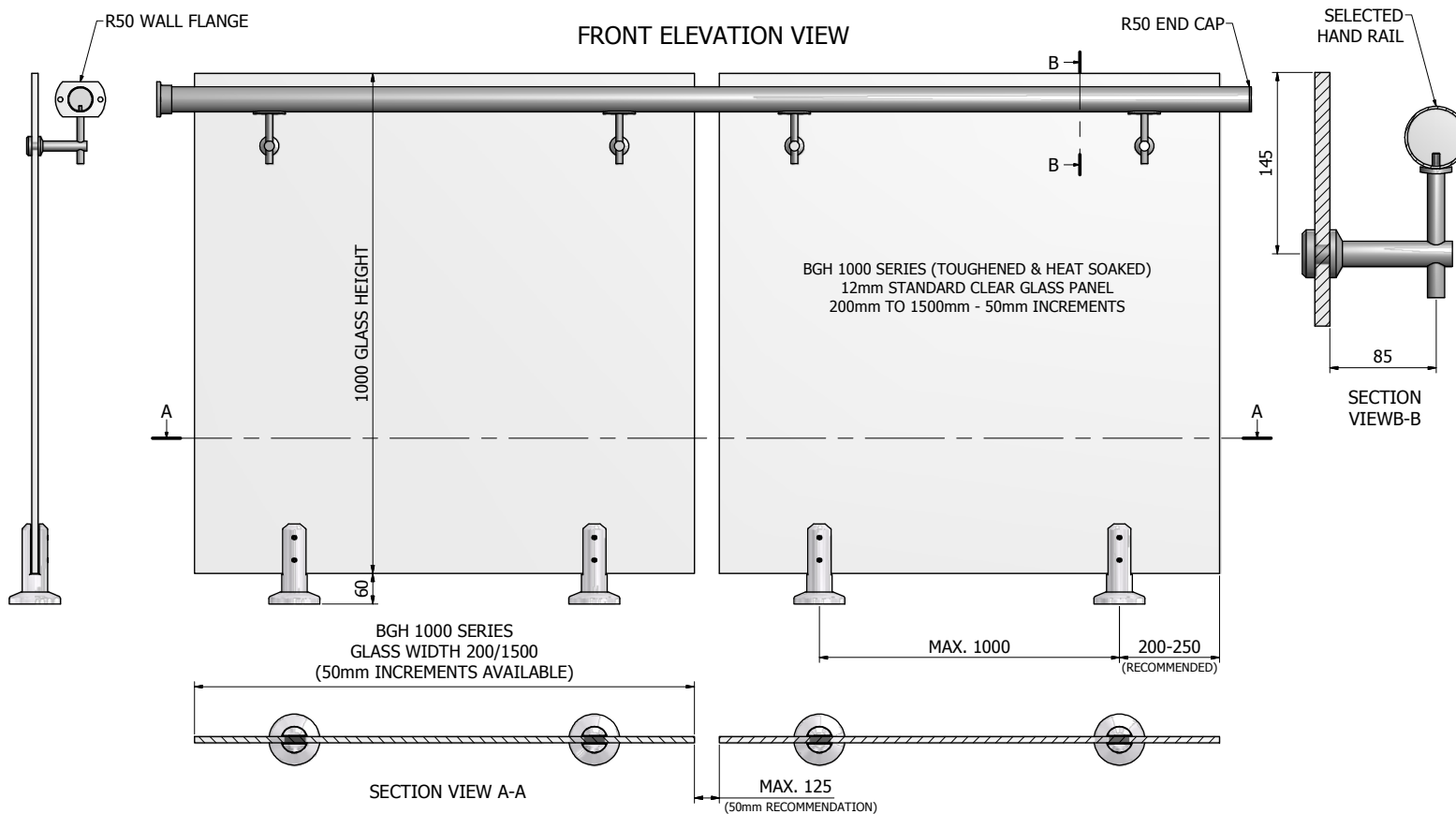




MINI POST SERIES—SIDE FIX HAND RAIL  
BALUSTRADE SYSTEM

INSTALLATION GUIDE

PRODUCT CODE: MPH-SFH



**PRODUCT CODE:**  
MPH-SFH

**PRODUCT TYPE:**  
MINI POST SERIES - SIDE FIX HAND RAIL

**AVAILABLE FINISHES:**  
- SATIN  
- POLISHED

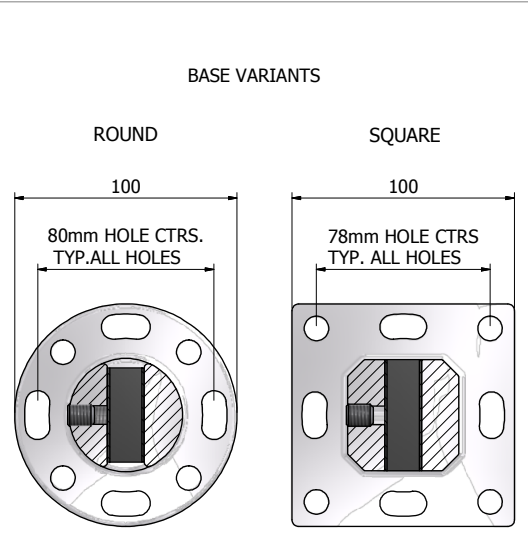
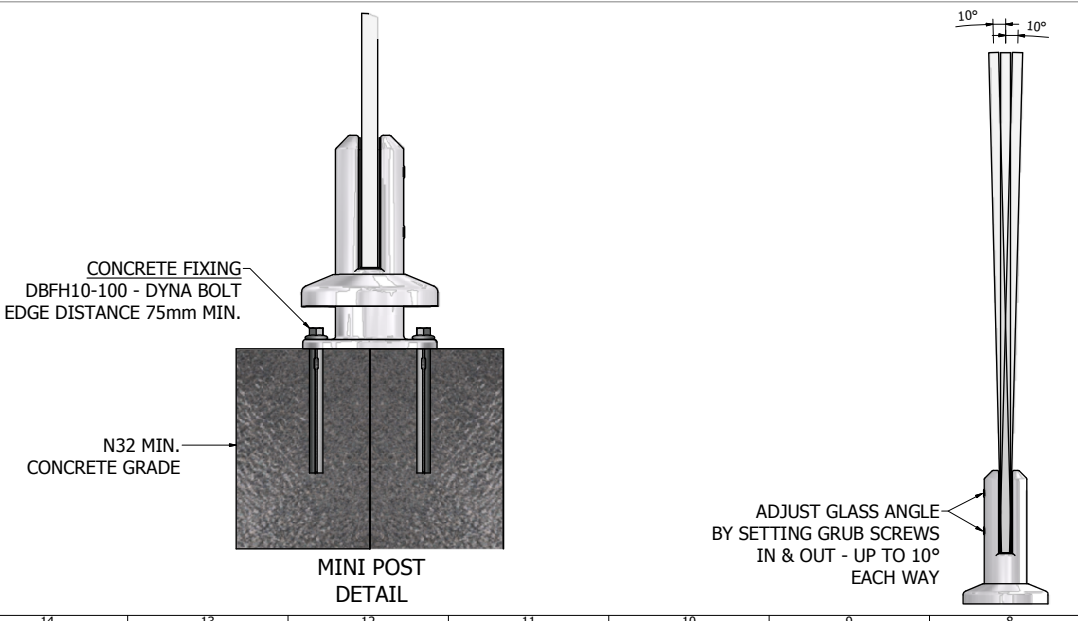
**AUSTRALIAN STANDARDS:**  
REGULATION No. AS2208 - A GRADE TOUGHENED GLASS  
COMPLIES TO AS1170.1-2002 SUBSECTION 3.6 BARRIERS  
TABLE 3.3 - MINIMUM IMPOSED ACTIONS FOR BARRIERS  
TESTED AT 750 N m

**GLASS:**  
BGH 1000 SERIES  
12mm CLEAR TOUGHENED  
WIDTHS AVAILABLE FROM 200mm TO 1500mm  
(IN 50mm INCREMENTS)

**HANDRAIL:**  
- TSR-50 RAIL

**POSTS**  
- ENC RNB - ROUND POST  
- ENC SQB - SQUARE POST

**RECOMMENDED BASE FIXINGS**  
- BASE PLATE - ON CONCRETE  
M10 x 100mm STAINLESS ALLTHREAD & NUT  
CHEMSET CHEMICAL ANCHOR  
OR 10mm x 100mm STAINLESS STEEL DYNA BOLT



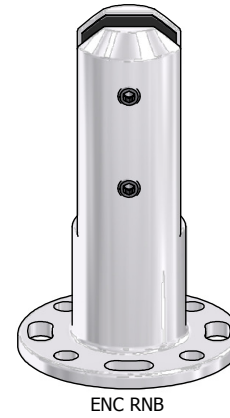
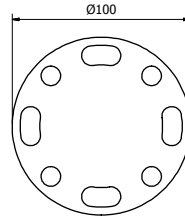
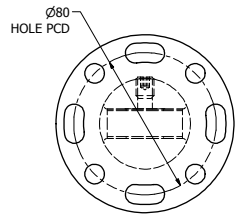
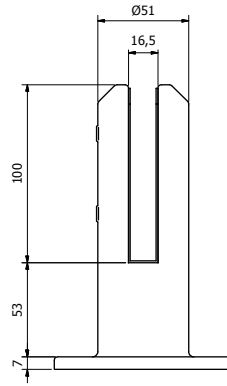
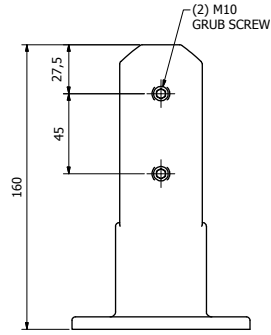
frameless  
direct  
architectural glass and hardware

21 ENCORE AVENUE, SOMERTON, VICTORIA AUSTRALIA 3062

WEBSITE: [www.framelessdirect.com.au](http://www.framelessdirect.com.au)  
EMAIL: [sales@framelessdirect.com.au](mailto:sales@framelessdirect.com.au)

TEL: 03 9303 9008  
FAX: 03 8339 2425

STANDARD BASE PLATE SPIGOT - **ROUND**



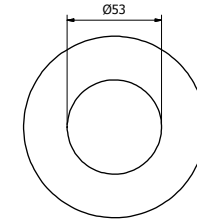
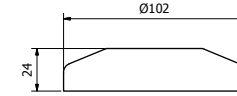
ENC RNB



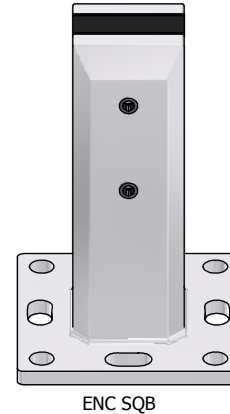
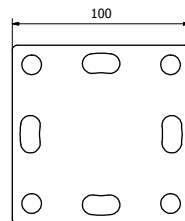
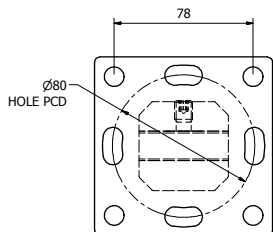
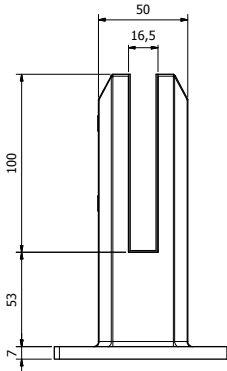
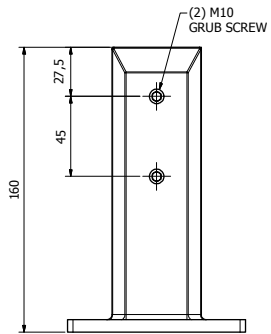
ENC RNB CP

CODE DESCRIPTION

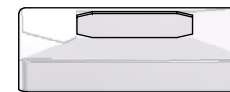
ENC RNB MINI POST ROUND BASE PLATE - Ø51/150mm  
 ENC RNB CP MINI POST ROUND BASE PLATE COVER PLATE



STANDARD BASE PLATE SPIGOT - **SQUARE**



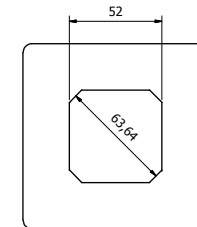
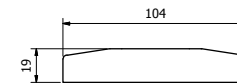
ENC SQB



ENC SQB CP

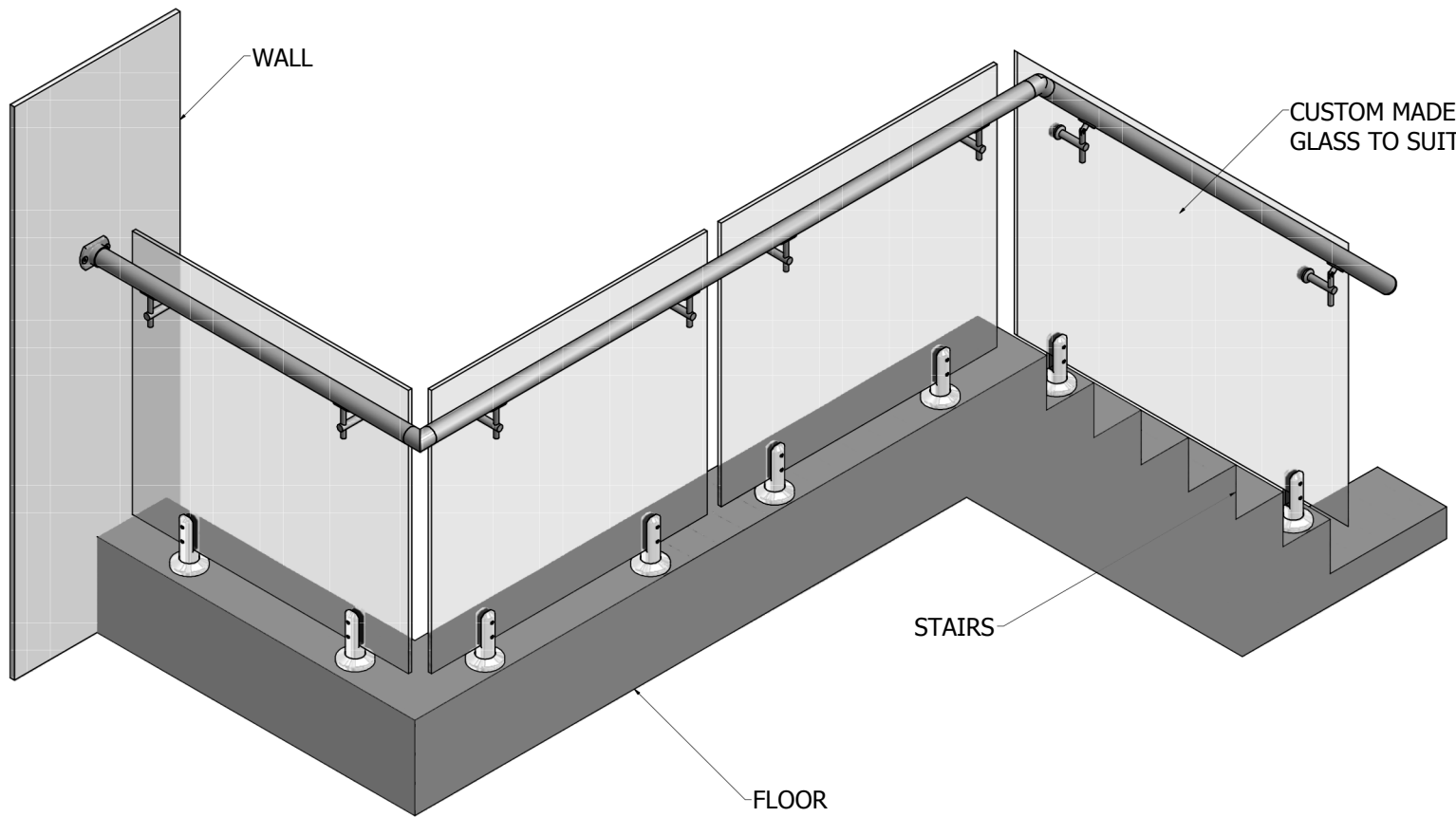
CODE DESCRIPTION

ENC SQB MINI POST SQUARE BASE PLATE - 50/150mm  
 ENC SQB CP MINI POST SQUARE BASE PLATE COVER RING



21 ENCORE AVENUE, SOMERTON, VICTORIA AUSTRALIA 3062  
 WEBSITE: [www.framelessdirect.com.au](http://www.framelessdirect.com.au) TEL: 03 9303 9008  
 EMAIL: [sales@framelessdirect.com.au](mailto:sales@framelessdirect.com.au) FAX: 03 8339 2425





INSIDE VIEW

**PRODUCT CODE:**  
MPH-SFH

**PRODUCT TYPE:**  
MINI POST SERIES - SIDE FIX HAND RAIL

**AVAILABLE FINISHES:**  
- SATIN  
- POLISHED

**AUSTRALIAN STANDARDS:**  
REGULATION No. AS2208 - A GRADE TOUGHENED GLASS  
COMPLIES TO AS1170.1-2002 SUBSECTION 3.6 BARRIERS  
TABLE 3.3 - MINIMUM IMPOSED ACTIONS FOR BARRIERS  
TESTED AT 750 N m

**GLASS:**  
BGH 1000 SERIES  
12mm CLEAR TOUGHENED  
WIDTHS AVAILABLE FROM 200mm TO 1500mm  
(IN 50mm INCREMENTS)

**HANDRAIL:**  
- TSR-50 RAIL

**POSTS**  
- ENC RNB - ROUND POST  
- ENC SQB - SQUARE POST

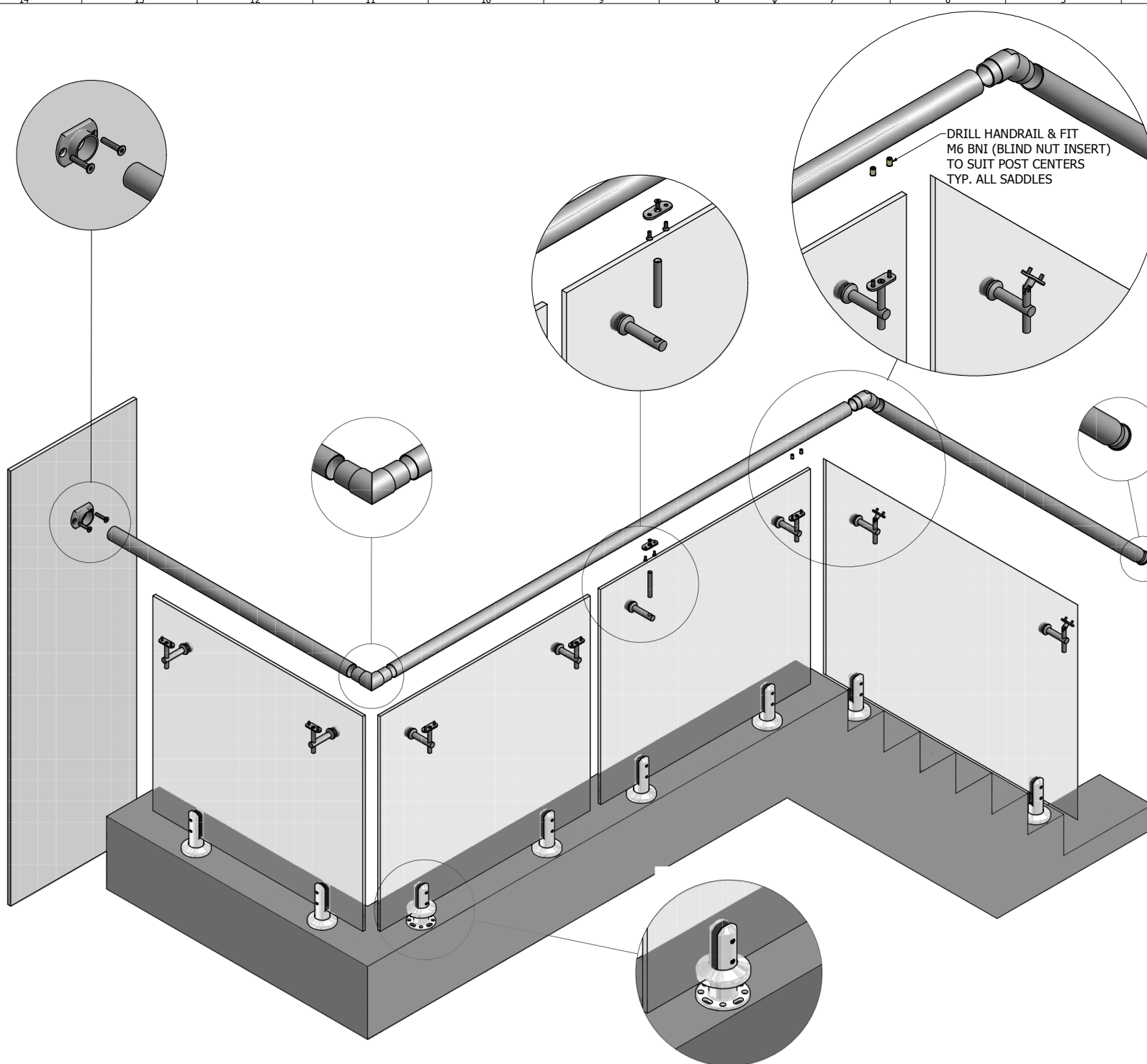
**RECOMMENDED BASE FIXINGS**  
- BASE PLATE - ON CONCRETE  
M10 x 100mm STAINLESS ALLTHREAD & NUT  
CHEMSET CHEMICAL ANCHOR  
OR 10mm x 100mm STAINLESS STEEL DYNA BOLT

frameless  
*direct*  
architectural glass and hardware **f**

21 ENCORE AVENUE, SOMERTON, VICTORIA AUSTRALIA 3062

WEBSITE: [www.framelessdirect.com.au](http://www.framelessdirect.com.au)  
EMAIL: [sales@framelessdirect.com.au](mailto:sales@framelessdirect.com.au)

TEL: 03 9303 9008  
FAX: 03 8339 2425



DRILL HANDRAIL & FIT  
M6 BNI (BLIND NUT INSERT)  
TO SUIT POST CENTERS  
TYP. ALL SADDLES

**PRODUCT CODE:**  
MPH-SFH

**PRODUCT TYPE:**  
MINI POST SERIES - SIDE FIX HAND RAIL

**AVAILABLE FINISHES:**  
- SATIN  
- POLISHED

**AUSTRALIAN STANDARDS:**  
REGULATION No. AS2208 - A GRADE TOUGHENED GLASS  
COMPLIES TO AS1170.1-2002 SUBSECTION 3.6 BARRIERS  
TABLE 3.3 - MINIMUM IMPOSED ACTIONS FOR BARRIERS  
TESTED AT 750 N m

**GLASS:**  
BGH 1000 SERIES  
12mm CLEAR TOUGHENED  
WIDTHS AVAILABLE FROM 200mm TO 1500mm  
(IN 50mm INCREMENTS)

**HANDRAIL:**  
- TSR-50 RAIL

**POSTS**  
- ENC RNB - ROUND POST  
- ENC SQB - SQUARE POST

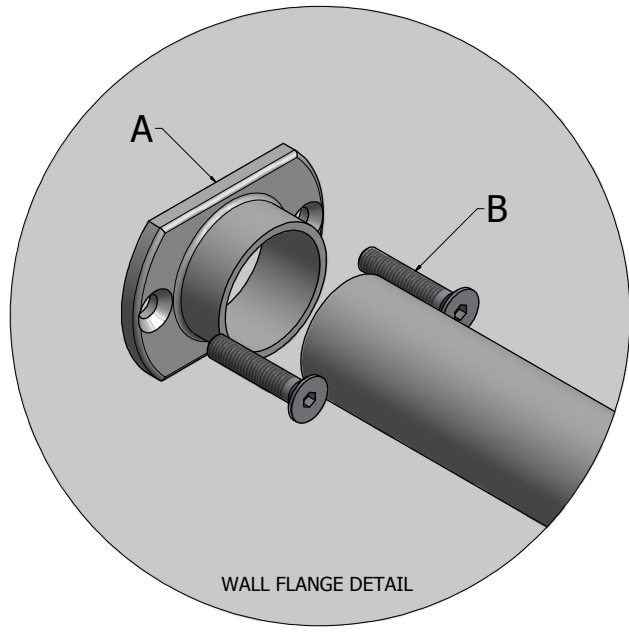
**RECOMMENDED BASE FIXINGS**  
- BASE PLATE - ON CONCRETE  
M10 x 100mm STAINLESS ALLTHREAD & NUT  
CHEMSET CHEMICAL ANCHOR  
OR 10mm x 100mm STAINLESS STEEL DYNA BOLT



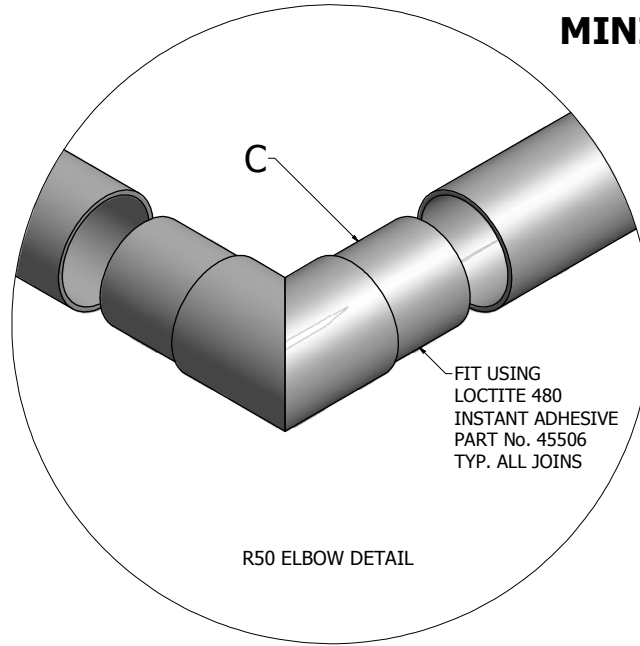
21 ENCORE AVENUE, SOMERTON, VICTORIA AUSTRALIA 3062

WEBSITE: [www.framelessdirect.com.au](http://www.framelessdirect.com.au)  
EMAIL: [sales@framelessdirect.com.au](mailto:sales@framelessdirect.com.au)

TEL: 03 9303 9008  
FAX: 03 8339 2425



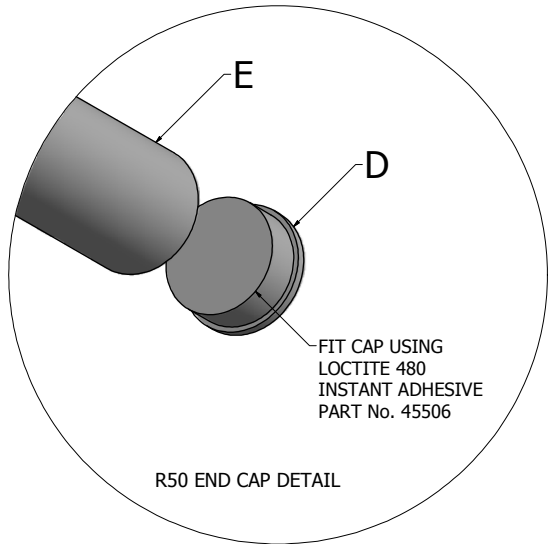
WALL FLANGE DETAIL



R50 ELBOW DETAIL

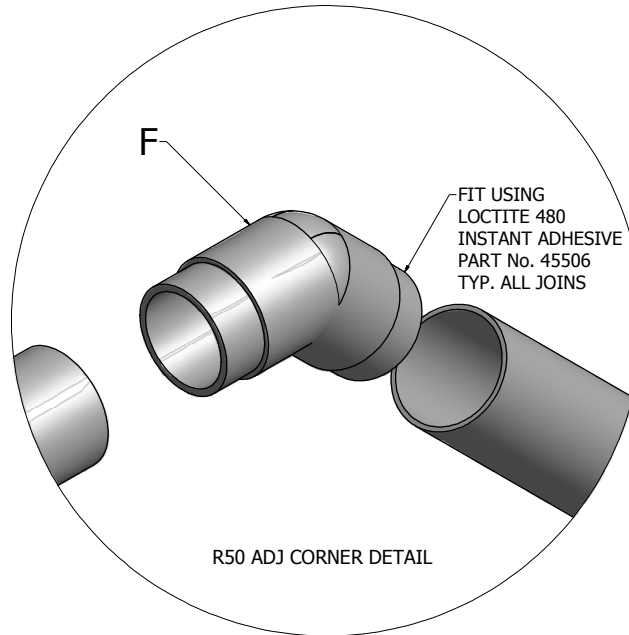
FIT USING  
LOCTITE 480  
INSTANT ADHESIVE  
PART No. 45506  
TYP. ALL JOINS

## MINI POST SERIES SIDE FIX HANDRAIL R50 HAND RAIL OPTIONS



R50 END CAP DETAIL

FIT CAP USING  
LOCTITE 480  
INSTANT ADHESIVE  
PART No. 45506



R50 ADJ CORNER DETAIL

FIT USING  
LOCTITE 480  
INSTANT ADHESIVE  
PART No. 45506  
TYP. ALL JOINS

### ITEM LIST

- A - R50 WALL FLANGE
- B - WALL / POST FIXING SCREW
- C - R50 ELBOW
- D - R50 END CAP
- E - TSR-50 - RAIL
- F - R50 ADJ JOINER

frameless  
**direct**  
architectural glass and hardware 

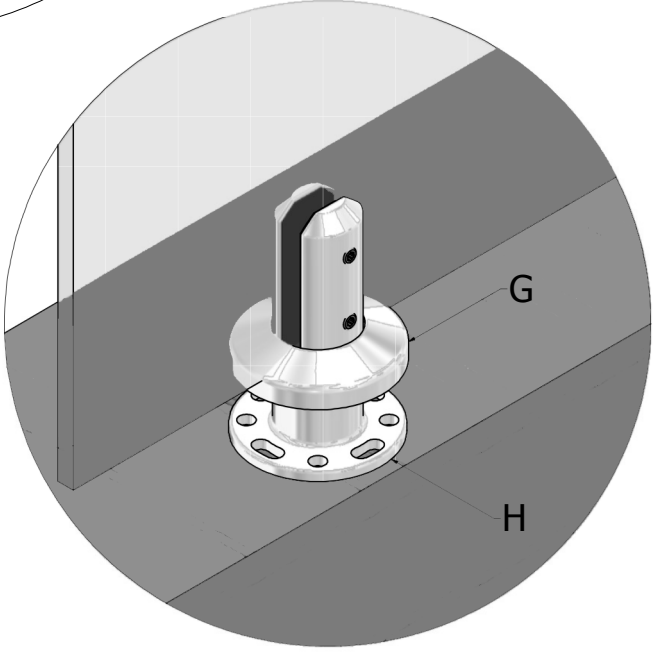
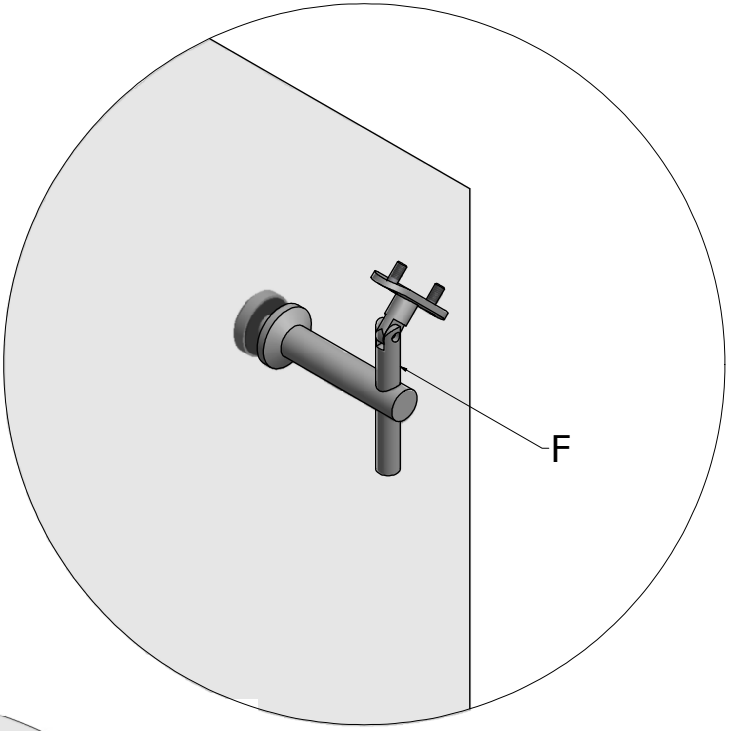
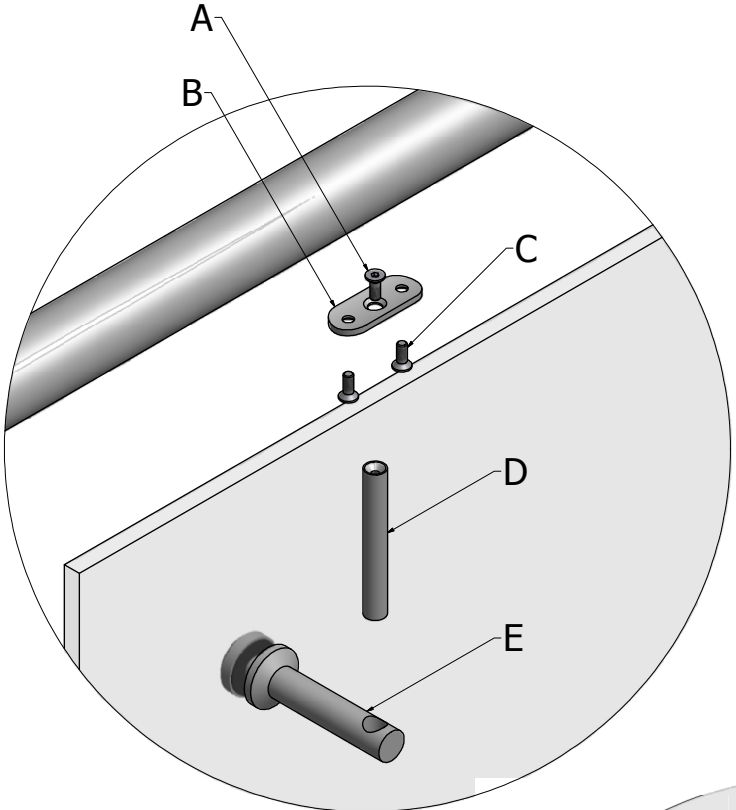
21 ENCORE AVENUE, SOMERTON, VICTORIA AUSTRALIA 3062

WEBSITE: [www.framelessdirect.com.au](http://www.framelessdirect.com.au)  
EMAIL: [sales@framelessdirect.com.au](mailto:sales@framelessdirect.com.au)

TEL: 03 9303 9008  
FAX: 03 8339 2425

# MINI POST SERIES SIDE FIX HANDRAIL

## HAND RAIL & POST DETAILS



### ITEM LIST

- A - M6 x 16 COUNTERSUNK SETSCREW
- B - SSA-12 COLLAR
- C - M6 x 16 COUNTERSUNK SETSCREW
- D - HBF-04 SADDLE POST
- E - HBF-04 GLASS SPIGOT
- F - HBF-04 SADDLE POST - ADJUSTABLE
- G - ENC RNB CP - MINI POST CAP
- H - ENC RNB - MINI POST ROUND

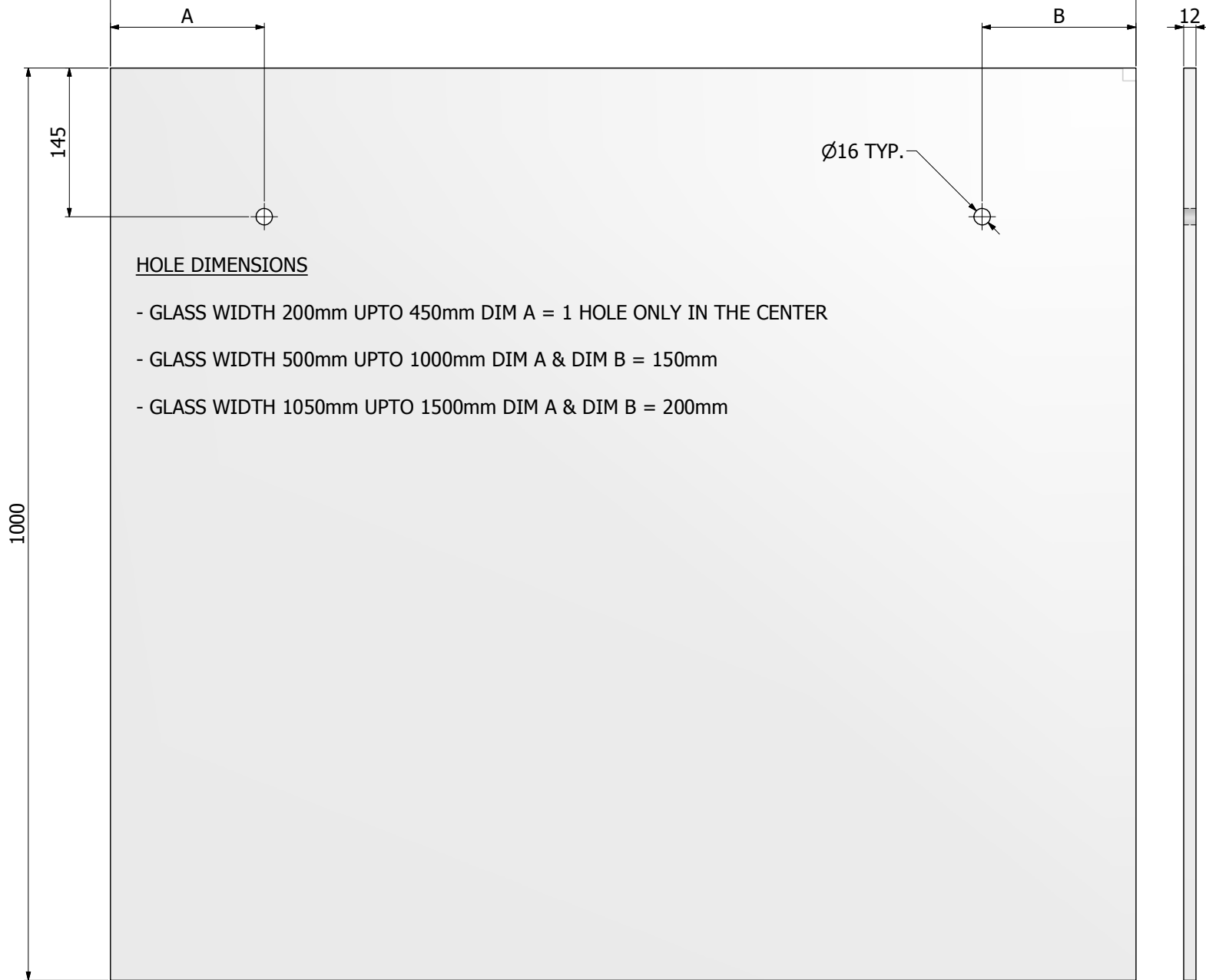


21 ENCORE AVENUE, SOMERTON, VICTORIA AUSTRALIA 3062

WEBSITE: [www.framelessdirect.com.au](http://www.framelessdirect.com.au)  
 EMAIL: [sales@framelessdirect.com.au](mailto:sales@framelessdirect.com.au)

TEL: 03 9303 9008  
 FAX: 03 8339 2425

BGH 1000 - 200mm TO 1500mm  
INCREMENTS OF 50mm

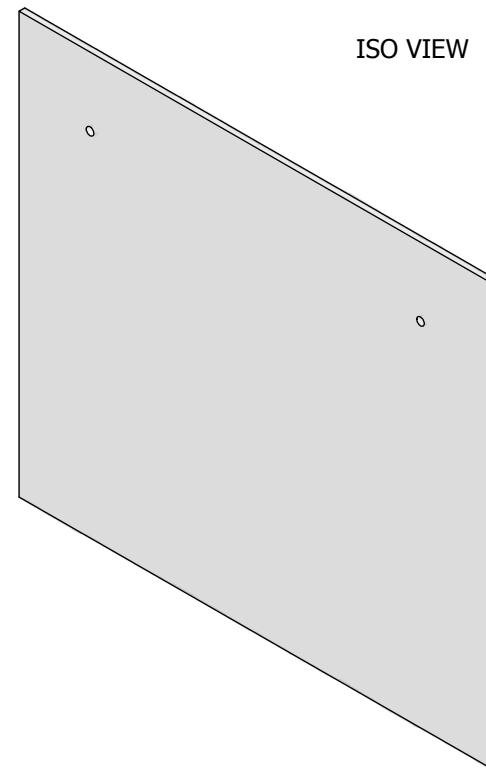


HOLE DIMENSIONS

- GLASS WIDTH 200mm UPTO 450mm DIM A = 1 HOLE ONLY IN THE CENTER
- GLASS WIDTH 500mm UPTO 1000mm DIM A & DIM B = 150mm
- GLASS WIDTH 1050mm UPTO 1500mm DIM A & DIM B = 200mm

Ø16 TYP.

ISO VIEW



**PRODUCT CODE:**  
BGH 1000

**PRODUCT TYPE:**  
BALUSTRADE GLASS PANEL 1000mm

**TECHNICAL DETAILS:**  
12mm TOUGHENED CLEAR GLASS  
2mm RADIUS CORNERS  
POLISHED EDGES

**AUSTRALIAN STANDARDS:**  
REGULATION No. AS2208 - A GRADE TOUGHENED GLASS



21 ENCORE AVENUE, SOMERTON, VICTORIA AUSTRALIA 3062

WEBSITE: [www.framelessdirect.com.au](http://www.framelessdirect.com.au)  
EMAIL: [sales@framelessdirect.com.au](mailto:sales@framelessdirect.com.au)

TEL: 03 9303 9008  
FAX: 03 8339 2425